

D-Style Connector Pin/Contact No.	Label Text/Color	Pigtail Type	Signal Details
31	BIT SYNC OUT CLK	BNC-F	BIT SYNC OUT CLK
32	BIT SYNC OUT DAT	BNC-F	BIT SYNC OUT DAT
34	BIT SYNC IN SE5/DIFF1+	BNC-F	BIT SYNC IN SE5/DIFF1+
35	BIT SYNC IN SE7/DIFF3+	BNC-F	BIT SYNC IN SE7/DIFF3+
36	BIT SYNC IN SE1/DIFF1-	BNC-F	BIT SYNC IN SE1/DIFF1-
37	BIT SYNC IN SE3/DIFF3-	BNC-F	BIT SYNC IN SE3/DIFF3-
38	BIT SYNC OUT TAPE	BNC-F	BIT SYNC OUT TAPE
39	BIT SYNC IN SE4/DIFF4-	BNC-F	BIT SYNC IN SE4/DIFF4-
40	BIT SYNC IN SE8/DIFF4+	BNC-F	BIT SYNC IN SE8/DIFF4+
41	BIT SYNC OUT CLK_L	BNC-F	BIT SYNC OUT CLK_L
43	BIT SYNC OUT DAT_L	BNC-F	BIT SYNC OUT DAT_L
16-29	(N/A)	(N/A)	Ground

**Assembly Notes:**

- Apply signal labels near connector end of cable pigtails and secure with clear heat shrink. Apply label "LS-40-P to one side of HD44 connector and C040103 to opposite side.
- All signal cable pigtails to be constructed from RG-174, approximately 12" in length.
- See sheet 2 for shunt configurations.
- This configuration is for R8 or R9 versions of the LS50P2 carrier board only

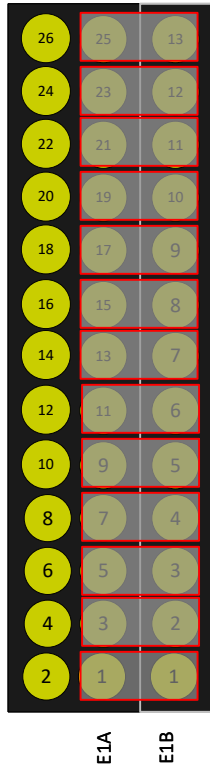
**Table 2. Assembly BOM**

Description	Qty	Manufacturers PN	Manufacturer
HD44 DSub, Male Solder Cup	1	HDT44-PD	Adam Tech
HD44 DSub Backshell	1	DB25-HD-PB-TS	Adam Tech
BNC Female RG174 Pigtail, 12"	11	LCOM-SP7363	LCOM
Heat-shrink Tubing	AR	(Common Stock)	(Various)

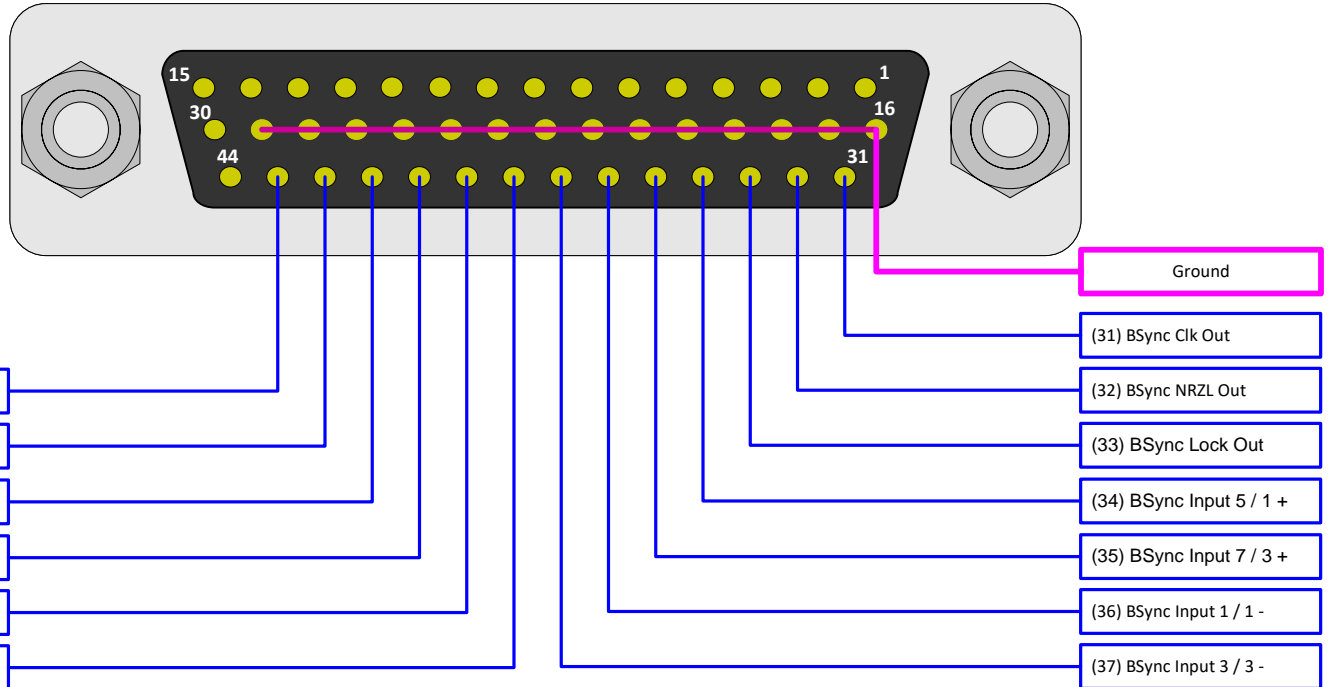
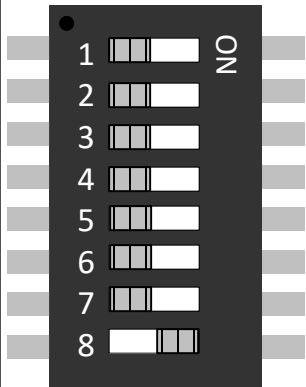
Lumistar Inc. 3186 Lionshead Ave., Suite 100 Carlsbad, CA 92010 (760) 431-2181		
Title: <b>LS-40-P Interface Cable Assembly Drawing</b>		
Size A	Document Number: C040103	REV -
Date: 02/01/22		Sheet 1 of 2

# LS-40-P J1 Pinout (Rev8+ Board Required)

Configuration Header E1



Switch S1



Lumistar Inc.  
 3186 Lionshead Ave., Suite 100  
 Carlsbad, CA 92010 (760) 431-2181

Title:  
**LS-40-P Interface Cable Assembly Drawing**

Size A	Document Number: C040103	REV -
-----------	-----------------------------	----------